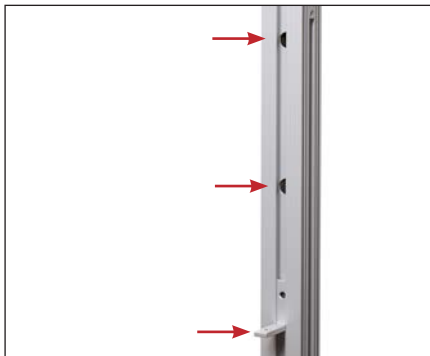


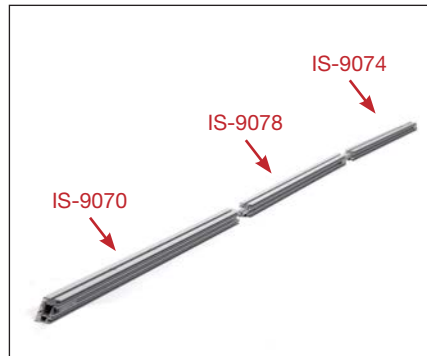
### Front header

Suitable for lengths from 2 to 6 meters (6.5 to 20 ft.)

35 x 200 cm	Item IS-9490
35 x 300 cm	Item IS-9491
35 x 400 cm	Item IS-9492
35 x 500 cm	Item IS-9493
35 x 600 cm	Item IS-9494



**1** Build up your stand and use the special post, IS-9074-S with the two holes and Support-Multi connector in at the top/front of the side frames. This post can you make by your self of bay directly from us, see reverse side.



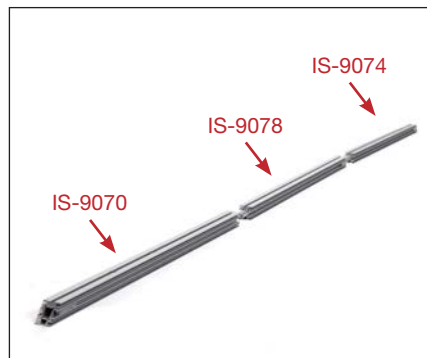
**2** Start to build the Front Header Frame. with the horizontal bottom beam first



**3** Mount one of the Vertical End Profile, IS-9360, in each end of the horizontal bottom profile.



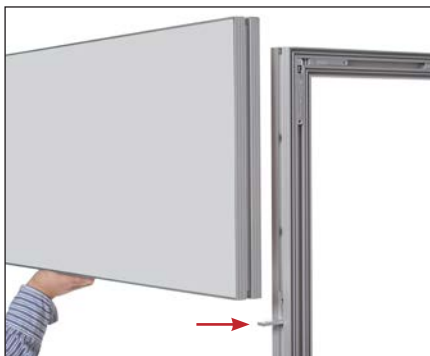
**4** Mount one of the Vertical Stabilizing Profile, IS-9361, over each joint.



**5** Build the horizontal top beam and attach this in top of the header with corner clamps and with the vertical stabilizing profile clamps.



**6** Mount the fabric graphic panel, if you use it double sided make two holes for the Twist Clamp on the reverse side of the graphic.



**7** Lift up the header on the Support-Multi connection brackets...

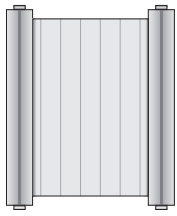


**8** ...and Insert-Twist-Lock with the two Twist Lock clamps in each side. See separate instruction.



**9** Your front header is now ready!

## Part List



Vertical Stabilizing Profile,  
IS-9361



Vertical End Profile,  
IS-9360



90° bracket,  
IS-9051



Twist Lock  
IS-9339



Start profile, IS-9070



Extension profile, IS-9078

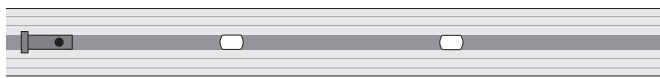
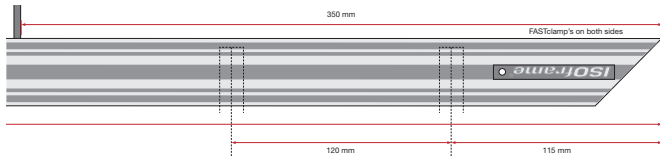


End profile, IS-9074

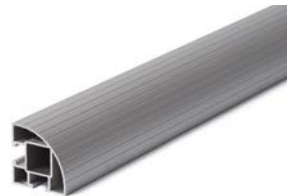
Product / Header size	IS-9490	IS-9491	IS-9492	IS-9493	IS-9494
Header size	350 x 2000 mm	350 x 3000 mm	350 x 4000 mm	350 x 5000 mm	350 x 6000 mm
Start profile, IS-9070	2	2	2	2	2
Extension profile, IS-9078	0	2	4	6	8
End profile, IS-9074	2	2	2	2	2
Vertical End Profile, IS-9360	2	2	2	2	2
Vertical Stabilizing Profile, IS-9361	1	2	3	4	5
90° bracket, IS-9051	8	8	8	8	8
Twist Lock, IS-9339	4	4	4	4	4

## Create a IS-9074-S

- Take a IS-9074 and drill two 13 mm holes 115 mm and 235 mm from the top in the center of the profile. Drill from the inside and save 4 mm at the front of the profile.
- Mount a Support-Multi Connector (IS-9001) 350 mm from the top at the front side for extra security. Please observe, insert a 8 mm long M6 allen screw insted of the original screw.



## EXTRA: Attach a corner profile



**6a** Mount the corner profile at the frame with two Twist Lock in each side. Go further with step 7 at the first side.

For graphic sizes, see: [Frame sizes & Graphic fabric production](#)

