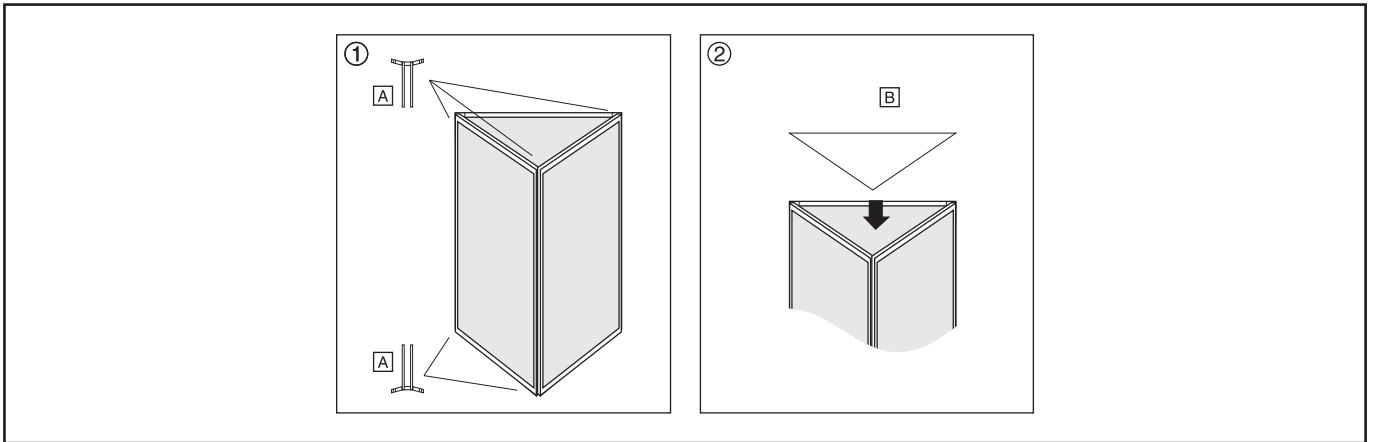
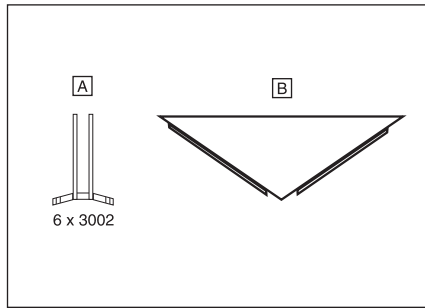
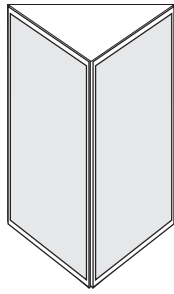


6110/6111/6112



04/2004

**Mark
Bric**

FLEXIFRAME[®]
Protected by international patents

