

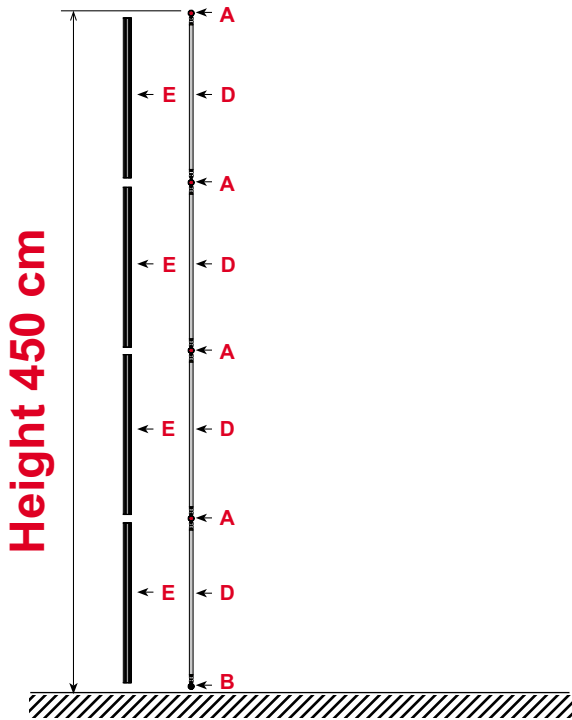


Assembly information

Metric / cm

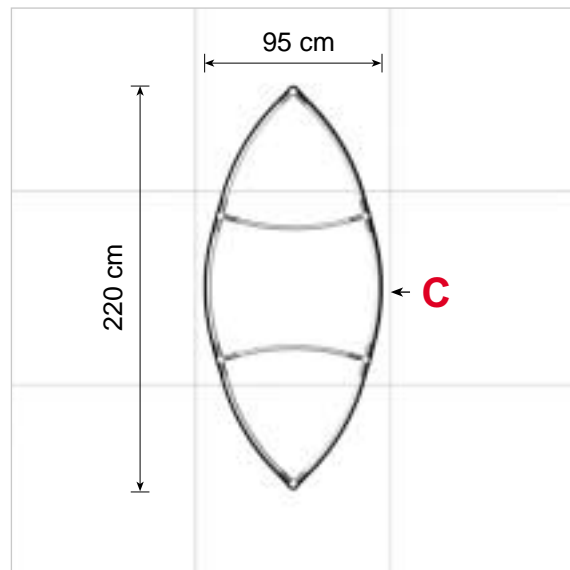
Tower unit **shape T4** 450 cm

Side view



Ladder Needed 4m' High

Top view



ItemNo. 8915

Drawing no.	Tower unit shape T4 450 cm	
	Components	pcs.
A	Junction	24 pcs.
B	Leveling Junction	6 pcs.
C	Rod (purple)	40 pcs.
D	Rod (gold)	24 pcs.
E	Wing (gold)	24 pcs.
	Hanger	12 pcs.
	Clicker	12 pcs.



Mark Bric Display Corp.
 North America Tel. 800.742.6275 Fax. 800.565.9506 E-mail: markbric@markbric.com

Mark Bric Display AB
 Worldwide Headquarters Tel. +46 33 480460 Fax. +46 33 480470 E-mail: display@markbric.se